

## CNC File Preferences

Thank you for your enquiry regarding CNC cutting. Here are a few things to consider when sending through your files for us to quote...

### File formats we can work with:

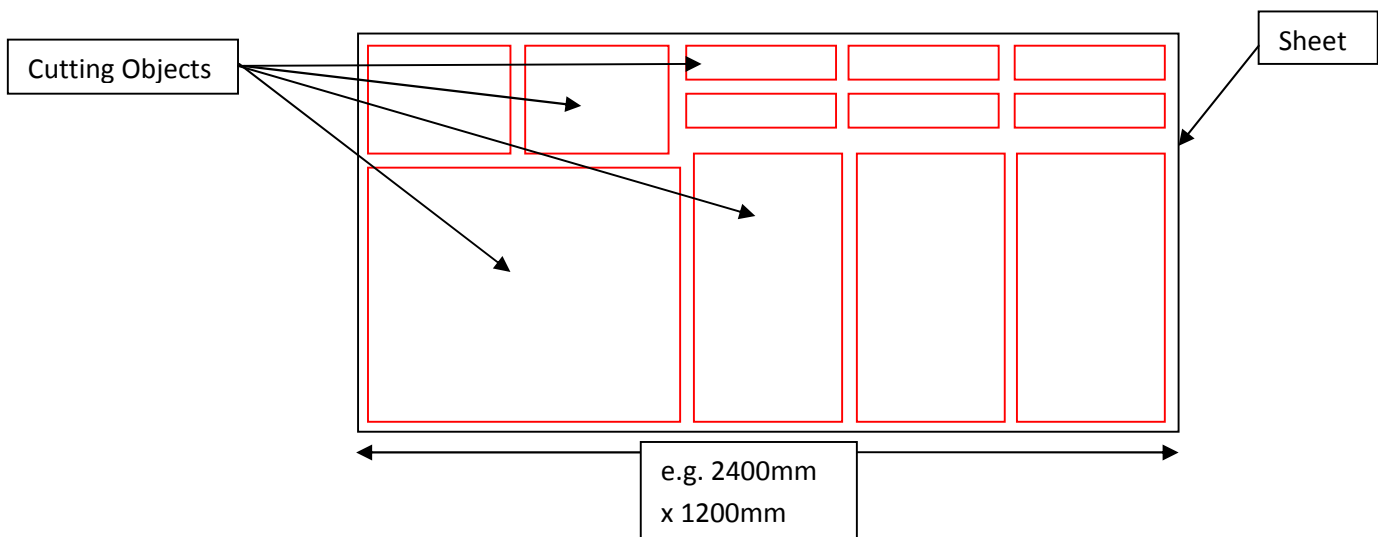
- DWG (preferred)
- Rhino 3DM (preferred)

### Alternative formats:

- DXF
- Others on application

### Layout Preferences:

- Correct sheet size
- At least 5mm space left around the edge of the sheet and cutting objects, this is subject to change depending on which cutting tool is required and material used.
- At least 10mm space in between all cutting objects, this is subject to change depending on which cutting tool is required and material used.
- Smaller components usually require more space around them for a clean cut.
- Position shapes from smallest to largest from top right down to top left of sheet, see pictured.



### What we can cut:

- Sheets up to 2440mm long x 1800mm wide. Larger in length sheets can be cut upon special application.
- Materials: MDF, plywoods, timber, composite panels, acrylics, melamine, laminated and veneered board, aluminium